

ROTARY MULTI-HORIZONTAL CUTTER DIAPHRAGM WALL TRENCHER

# MPD-TMX™

ADVANCED TECHNOLOGY WITH VERY COMPACT AND LIGHT  
DESIGN SUITED TO OPERATE IN ANY URBAN SPACES



Photo: MPD-TMX with short guide

**TOA-TONE BORING CO., LTD.**

URL: <http://www.toa-tone.jp>

# Designed from various demands

# MPD-TMX™

Photo: MPD-TMX with long guide



## FEATURES

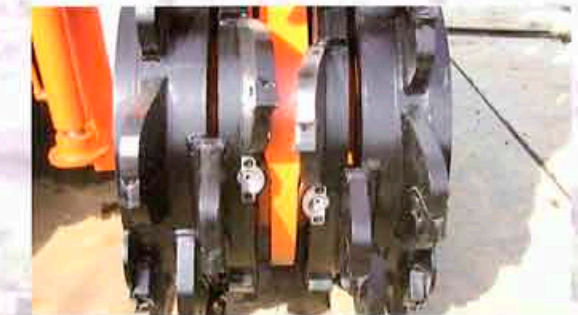
- Enable to mount on 0.45 m3 compact base machine instead of 100 ton crane that is normally used for lifting this type of trencher
- Applicable to operate at restricted space with selectable swing angle
- Capable of drilling with wall length of 2400 mm and wall thickness from 650 - 1000 mm
- High torque cutter can drill various formations from clay to hardly compact layer
- Simple structure minimizes the need of disassembling and assembling works for maintenance and repair
- Only tooth ass'y for cutter is normally required for replacement part
- Base machine can be diverted as multi-pile driver for large hole diameter drilling by reverse circulation, DTH hammer, etc.

Ultimate compact diaphragm wall trencher designed from accumulated technologies of "EMX" and "BMX" diaphragm wall trenchers since the Japanese first trencher, "BW", was introduced in 1965

- Simplified structure can save the labor for maintenance



- Unique cutter design ensures full face cutting without remaining unexcavated area



- Capable of drilling through clayey and compact layer, gravel and boulders



- Trencher with optional built-in sand pump can be operated by crawler crane suspension



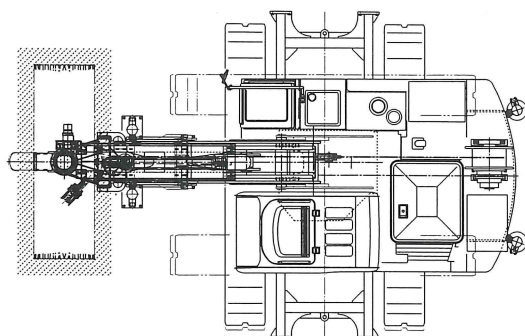
"SMX" type



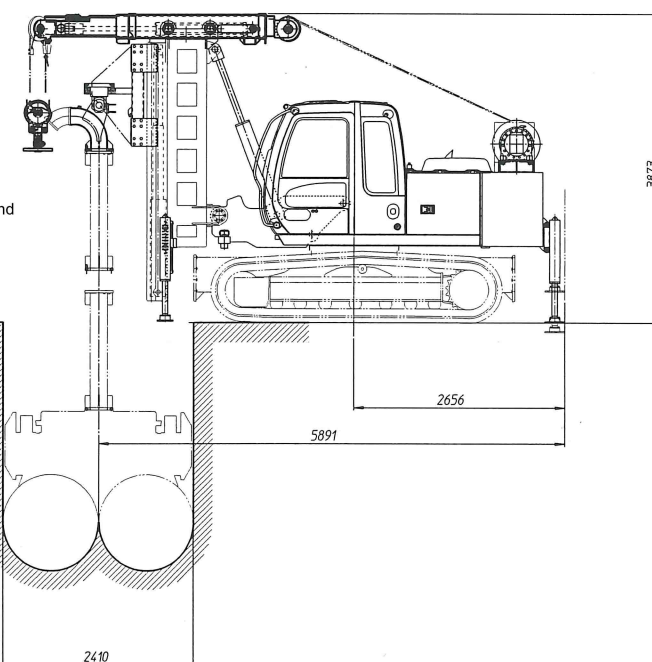
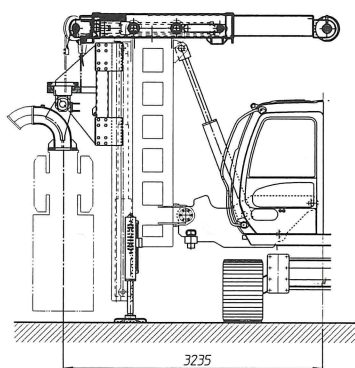
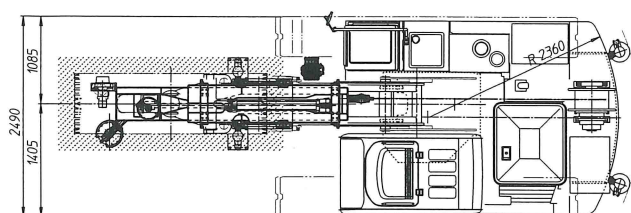
# MPD-TMX™

## CONCEPTUAL DIAGRAM OF MPD-TMX SYSTEM OPERATION

STANDARD TYPE



STRADDLE TYPE



### SPECIFICATIONS FOR DRUM CUTTER

- Rotation speed 0 - 20 rpm(low)
- 0 - 40 rpm (high)
- Rotating torque 4550 kg-m
- Hydraulic pressure 280 kg/cm<sup>2</sup>

Amendment : In accordance with our policy of constant improvement, we reserve the right to amend design, materials, specifications and prices at any time without prior notice.

## TOA-TONE BORING CO., LTD.

Head Office: 3-7 Roppongi 7-chome, Minato-ku, Tokyo 106-8552, Japan

Phone 03-5775-3921 Fax 03-5775-3967

Factory: 1900-1 Mikkaichiba, Enzan, Koushu City 404-0047, Yanamashi Pref., Japan

Phone 0553-20-2600 Fax 0553-20-2660